

NanoBracket® Universal

Mounting Bracket for Ubiquiti NanoStation™ and other CPEs

NanoBracket® Universal is a mounting bracket with integrated positioning system designed for the installation of Ubiquiti Networks™ NanoStation™ and other popular CPEs. NanoBracket® is originally designed and developed by RF elements.

NanoBracket® Universal is made of very durable UV resistant ABS plastic and allows easy and quick installation of the device on the either on wall or on the pole.



TECHNICAL DATA

Materials	UV stabilized and weather resistant ABS plastic Hardware - Stainless Steel
Operating Temp.	-30 to +60 °C
Wind Survival	160 Km/h
Weight	0.23 Kg / 0.5 lbs – single piece incl. package 11.8 Kg / 26 lbs – carton (50 pcs)
Single Unit	Retail Package: 6 × 6 × 18.5 cm
50 Units	Carton Box: 39 × 33 × 31 cm

COMPATIBLE WIRELESS PLATFORMS

Body A

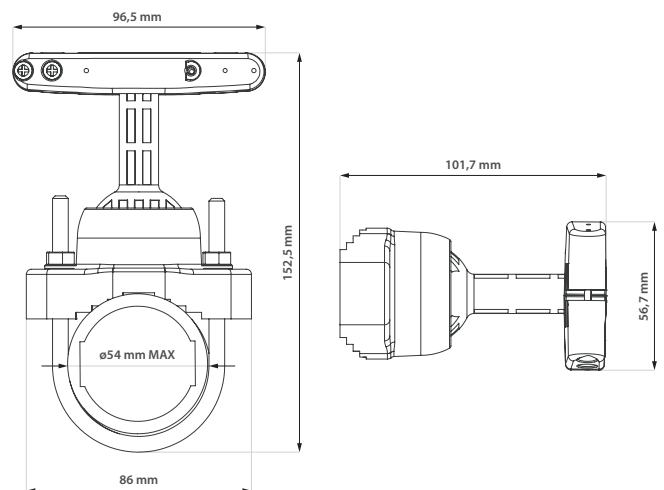
Ubiquiti Networks™	NanoStation™ M5 ,NanoStation™ M2, NanoStation™ 5, NanoStation™ 2
AirLive®	AirMax 5, AirMax 2
RF elements®	StationBox® Classic

Body B

Ubiquiti Networks™	NanoStation™ 5 LOCO, NanoStation™ 2 LOCO, NanoStation™ M5 LOCO, NanoStation™ M2 LOCO, NanoStation™ M900 LOCO
RF elements®	StationBox® Mikro

PRODUCT DIMENSIONS

Version with Body A



PACKAGE CONTENTS

Body A	U-Bolt	Base	Screws	Saddles
Body B	Ball Hinge	Holder	Nuts	Wall Plugs

